

Rimfire Plate Rack Boxed

Operations/Maintenance Manual



PO Box 636, Provo, UT 84603, 801-377-8033

Use and Operation Rimfire Plate Rack Boxed

The data contained herein is disclosed for the sole purpose of assisting the user in the operation of Action Target equipment. All data and specifications are subject to change without notice. This data is applicable only to the part name/number identified. Some products may be customized for specific use, so your product may differ from that described herein.

Assembly: a:st_sr_b
Version: 1.01
Printed: 2013-Jan-08

Table of Contents

1. Product Description	3
2. Parts List	3
3. Assembly	3
3.1. Recommended Tools	3
3.2. Step 1	3
3.3. Step 2	3
3.4. Step 3	4
3.5. Final Step	6
4. Operating	6
5. Maintenance	6
6. Troubleshooting	6
7. Safety	6
8. Disclaimer	8
9. Warranties and Returns	9

1. Product Description

The Action Target ST Sport Rack is designed to enhance shooting accuracy and speed while providing fun competition. The shooting plates are made of high quality AR500 steel. All parts can be easily replaced if damaged. The foot design offers great stability on almost any surface. See the parts list and figures to confirm the correct quantity of parts received. If parts are missing, please call Action Target.

2. Parts List

Number	ATI Part Number	Description
6	14059	ST SPORT RACK PLATE
12	14064	ST SPORT RACK PLATE HINGE
1	14062	ST SPORT RACK
4	14057	ST SPORT RACK LOCKING BAR
1	14060	ST SPORT RACK RESET HINGE
1	14058	ST SPORT RACK RESET ARM
1	14096	ST SPORT RACK PT MOUNTING BRACKET
2	3237	3/8" X 3/4" Carriage Bolt
5	1057	3/8" STOVER NUT
2		3/8" X 3/4" HEX BOLT
1		3/8" X 1 1/4" HEX BOLT
3	1032	3/8" FLAT WASHER
1	7705	30' PT PULL CABLE
1	2001	3/16" CHAIN LINK SCREW LOCK

3. Assembly

Follow the steps listed below for proper assembly. lift the plate rack from the box and set it on the ground. Verify all of the parts are there. Note that all of the head plates and head plate lock bars have been preassembled. Make sure to keep track of all of the loose parts (feet, stands, and box of hardware). See figure 1 .

3.1. Recommended Tools

- 9/16" & 3/4" socket and ratchet
- 9/16" & 3/4" box/end wrench

3.2. Step 1

Assemble the feet to the stand. The stand requires two feet. Bolt the feet to the stand using (2) 1/2-13x1.75 hex bolts, (4) 1/2 flat washers, and (2) 1/2-13 stover nuts. **Note the orientation of the stands to the feet.** See both figures.

3.3. Step 2

Bolt the stand to the Plate Rack using (2) 1/2-13x1.5 hex bolts, (4) 1/2 flat washers, and (2) 1/2-13 stover nuts. See both figures. See figure 2.

ST Sport Rack Assembly

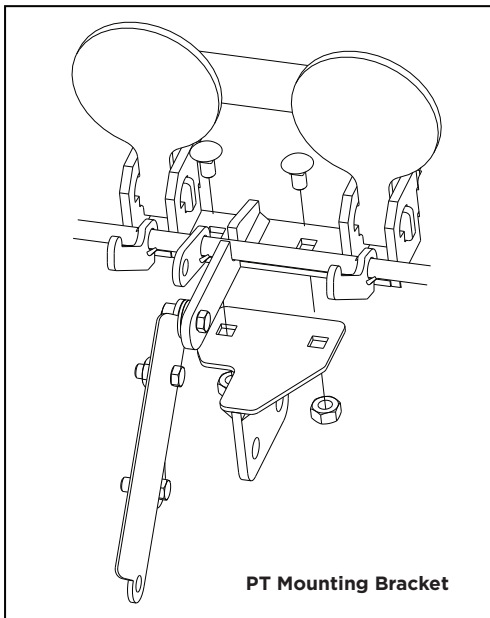
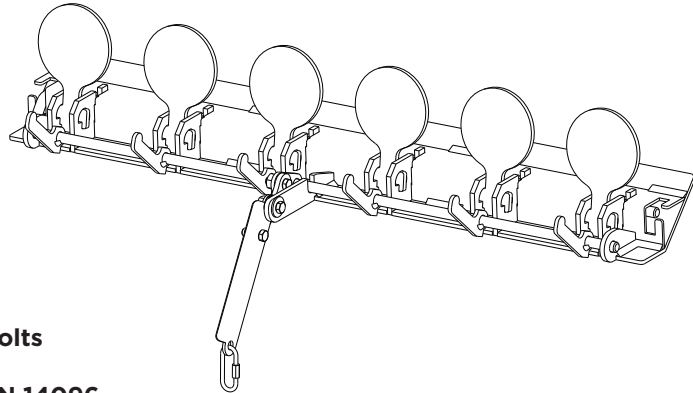


The Sport Rack comes pre-assembled minus the PT Mounting Bracket and one hinge bolt for shipping purposes.

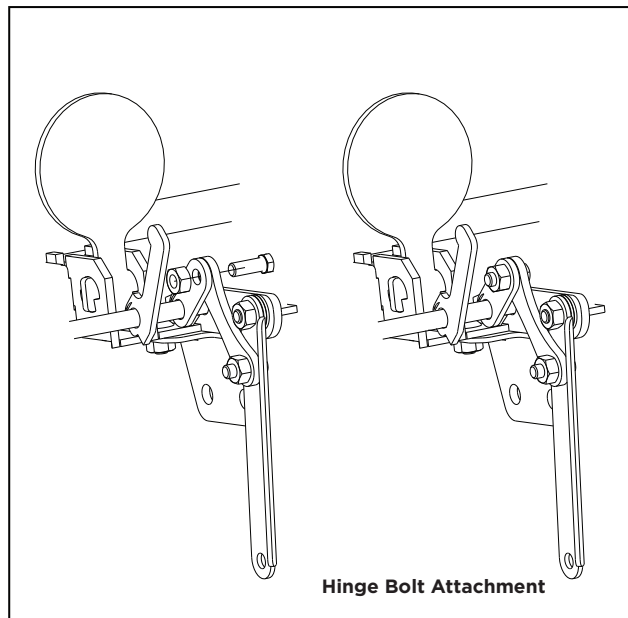
Boxed Parts:

Qty

- 2 - 1/2" X 1-1/2" Hex Bolts
- 2 - 1/2" X 1-1/4" Hex Bolts
- 4 - 1/2" Stover Nuts
- 1 - 3/8" X 1" Hex Bolt
- 2 - 3/8" X 3/4" Carriage Bolts
- 3 - 3/8" Stover Nuts
- 1 - PT Mounting Bracket PN 14096
- 1 - Sport Rack pre-assembled



- The Mounting Bracket is attached using two 3/8" x 3/4" carriage bolts and two 3/8" Stover nuts.
- Make sure the bolt direction is the same as the image.

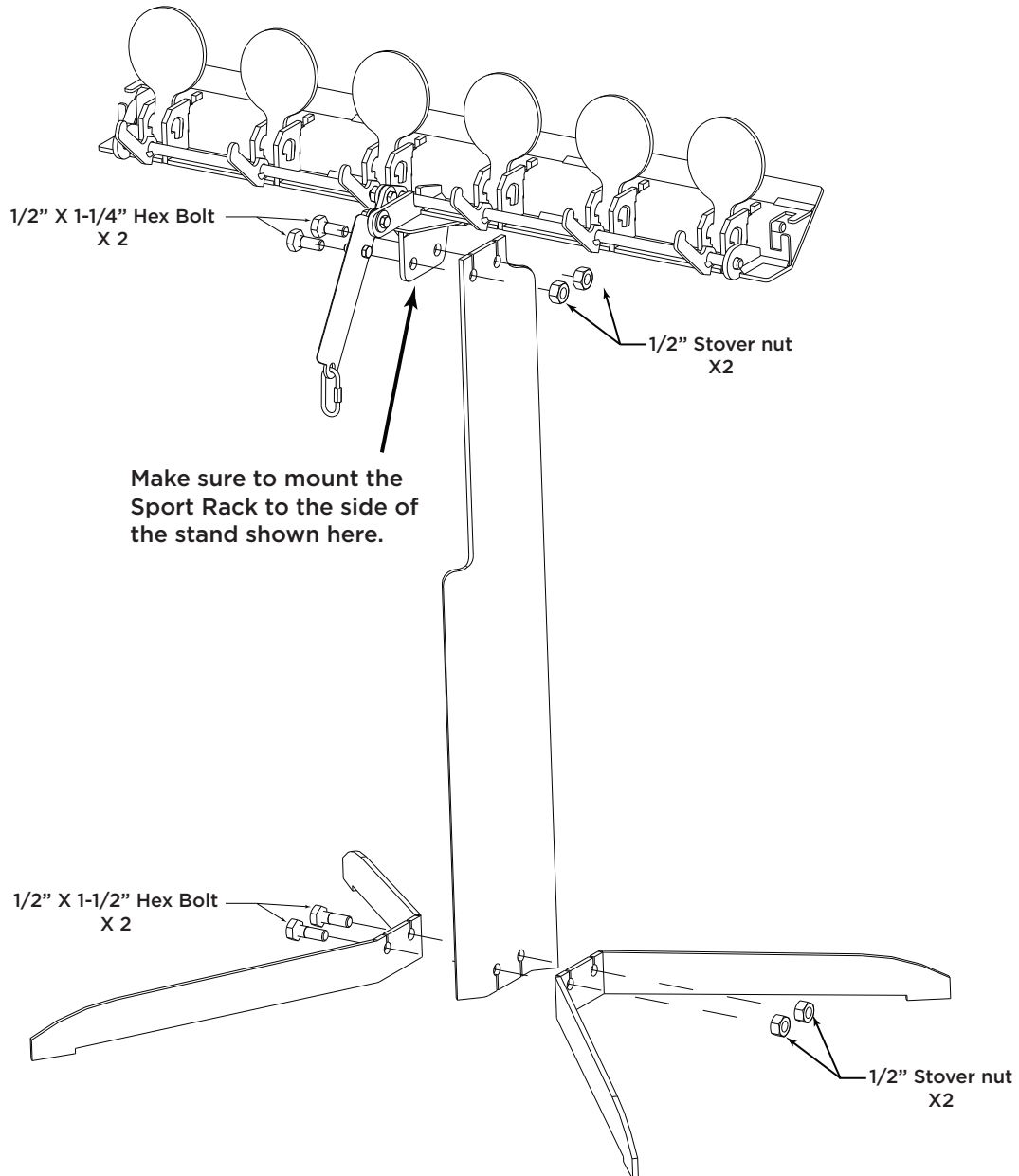


- The Hinge bolt is attached using one 3/8" x 1" Hex bolt and one 3/8" Stover nut.
- Make sure the bolt direction is the same as the image.

3.4. Step 3

Fasten the lever arm to the Plate Rack as shown in "Detail B" of figure 2. Note that the hardware is already

ST Sport Rack Stand Assembly



attached to the Plate Rack lever arm bracket and linkage. Make sure there is a flat washer between each contact surface. Tighten the stover nuts completely, then back them off just enough that the lever arm and

linkage does not bind. The lever arm/reset mechanism should move smoothly and easily when pulled.

3.5. Final Step

The last step is to attach the 30' pull cable to the lever arm. Uncoil the cable and attach one end to the hole located at the bottom of the lever arm using the supplied 3/16" chain link screw lock.

4. Operating

Place the Plate Rack in a location at which it can be safely fired upon. It is recommended that the Plate Rack be placed on a flat, hard surface to ensure stability.

NOTE THE MINIMUM SAFESHOOTING DISTANCE BETWEEN THE PLATERACK AND THE SHOOTER(S) IS 10 YARDS. Always wear the correct eye and ear protection devices when shooting firearms.

Once the Plate Rack has been placed in a safe location and the firing line distance has been determined, it is time to have fun and start shooting!

Once all of the head plates have been knocked down, simply pull on the cable to reset the heads back to vertical position.

5. Maintenance

The Plate Rack requires virtually no maintenance. It is recommended that a small amount of grease be reapplied to the reset mechanism contact surfaces occasionally. If the lever arm becomes hard to pull and the linkage hardware is properly adjusted, the contact surfaces just probably need to be greased.

If the shooting plates become pocked or damaged, it is recommended to replace them. **Damaged plates may cause irregular ricochets and back splatter.** Note that the head plates can be reversed if one side becomes too damaged and unsafe to fire upon.

6. Troubleshooting

Symptom	Possible Cause(s)	Corrective Action
reset arm hard to pull	linkage/reset mechanism surfaces are dry	apply grease to linkage/reset mechanism
	bullet fragments are jammed into reset mechanism	remove bullet fragments
Plate Rack is unstable	located on uneven surface	move to flat, hard surface
	feet/stands are loose	tighten feet/stand bolts

7. Safety

Action Target shooting targets are designed to reduce but cannot control the amount of bullet splatter that may be returned to the shooting area. Consequently, appropriate eye protection and protective clothing *must* be worn by shooters and bystanders when shooting at any type of steel target or target that uses a steel mounting frame or steel components.

Any activity using firearms is inherently dangerous and should only be carried out with the greatest of care and seriousness. This equipment is intended for professional use, not for consumer or amusement activities! It should only be used under the strict supervision of qualified firearms training personnel.

Action Target will assume no responsibility whatsoever for persons or organizations who use Action Target equipment in a manner which is unsafe and/or which poses a threat to human life, property, or the environment.

Action Target is not responsible for contamination, environmental damage, or any other consequences or outcomes the results of range operations.

Caution! Action Target highly recommends that you follow your range safety program and strictly adhere to its rules!

For protection, all range personnel should adhere to these safety precautions:

- * Keep hands and clothing clear of any moving parts, actuators, motors, etc.
- * Always use proper armament in front of actuators, air lines, controllers, fixtures, and any other parts of the system which might be damaged by gunfire.
- * Never place a target in a location that can be seen from anywhere other than the area where the intended shooter is firing from!
- * Always use proper armament in front of actuators, air lines, controllers, fixtures, and any other parts of an ATI system that might be damaged by gunfire.
- * Wear appropriate clothing.
- * Wear appropriate eye and hearing protection.
- * Vary target placement whenever possible to distribute spent rounds more evenly over bullet trap surfaces.
- * Watch for airborne fragmentation from fired rounds.
- * Halt all shooting activity and correct the reason for any airborne fragmentation.
- * Watch for splatter from bullets impacting the ground or other surfaces.
- * Halt all shooting activity and correct the reason for any splatter.
- * Follow inspection schedules and preventative maintenance procedures for target equipment and bullet traps.
- * Inspect ranges regularly per the recommended inspection and repair sections of the specific ATI manual.
- * Halt all shooting activity and inspect range conditions when smoke or sparks are seen where bullets impact.
- * Halt all shooting activity and inspect any changes in the appearance of the bullet trap or other range equipment.

8. Disclaimer

Certain risks are inherent in the use of firearms and participation in live-fire training programs. In addition, the improper use of firearms in live-fire training can lead to the destruction of property, personal injury, and even death. You and your customers must follow all manufacturers' instructions when using firearms with any Action Target, Inc. product.

Action Target products are intended for use only under the close supervision and direction of a qualified firearms instructor experienced in live-fire training. The risks associated with firearms training must be carefully considered and evaluated when planning and implementing the use of any Action Target product.

Further, every firearms user must fully understand and evaluate the destructive and penetrating potential of any ammunition selected. Prior to using Action Target, Inc. products, the firearms user must evaluate the performance characteristics of the ammunition in use and ensure that it cannot penetrate or damage AR 500 steel, or a combination of crushed rock and AR 500 steel. If in doubt, firearms users should consult the ammunition's manufacturer for performance characteristics.

Warning ! You and your customers must not use any Armor Piercing (AP) or other penetrative ammunition in conjunction with any Action Target, Inc. product. Use of penetrative ammunition could result in serious damage to the product, breaching of the fired-round containment area, and serious injury or even death!

Action Target, Inc. disclaims any and all liability associated with the use of firearms in association with its products. While Action Target products are designed to reduce the risks associated with live-fire training, failure to take proper care or to adhere to appropriate safety policies and procedures could result in damage to property or serious injury or death to participants or bystanders. Action Target, Inc. assumes no liability for the improper use of its products or the improper use of firearms or ammunition in conjunction with its products. Every firearms user proceeds at his or her own risk and assumes liability for his or her own actions.

9. Warranties and Returns

Action Target Inc. Limited Warranty

Action Target Inc. provides a limited warranty on its products. Action Target Inc. will repair or replace products that do not function correctly due to faulty components or workmanship.

The warranty period is in effect for one (1) year from the date of product delivery or project completion and sign off, whichever is later, whether or not actual use of the equipment begins on that date.

Action Target Inc. reserves the right not to provide a warranty for any product that falls into one or more of the following categories:

1. A product modified or altered by anyone other than an authorized Action Target representative.
2. A product damaged or rendered inoperative by failure to perform required maintenance as directed in the individual product operation manual.
3. A product damaged or rendered inoperative due to user negligence or misuse.
4. A product used outside the operational and/or functional scope for which it was intended.
5. A product damaged or rendered inoperative by using ammunition outside the intended scope of the product's design.
6. A product damaged or rendered inoperative through failure to implement recommended protection and/or armoring measures.
7. A product not installed or operated in compliance with the manufacturer's printed instructions.
8. A product damaged or rendered inoperative due to acts of nature including, but not limited to, lightning, flood, fire, earthquake, etc.
9. A product damaged or rendered inoperative by primary or secondary bullet strikes to or from non-impact surfaces. Examples of non-impact surfaces include, but are not limited to, ceiling baffles, wall baffles, moving target tracks, target trolleys, target stands, target holders, etc.
10. A product damaged or rendered inoperative by inadequate, incorrect, or unstable electricity supply.
11. A product not installed and operated in compliance with applicable building, mechanical, plumbing, and electrical codes.
12. A product damaged or rendered inoperative by exposure to climate and/or environmental conditions that exceed the scope of the product's design.

Action Target Inc.'s warranty does not cover the replacement or repair of regular maintenance items including, but not limited to, light bulbs, circuit breakers, batteries, filters, oil, grease, or any other consumable items.

An extended warranty or maintenance package may expand your coverage beyond the conditions stated herein, but does not exist unless explicitly stated in writing as part of a specific designated purchase. Action Target Inc. makes no other warranties, expressed or implied.

The limited warranty provided herein is for repair or replacement only. Action Target Inc. shall not be liable for any loss, cost, damage, or expense of any kind arising out of a breach of the warranty. Action Target Inc. shall not be liable for any incidental, consequential, exemplary, special, or punitive damages, nor for any loss of revenue, profit or use, arising out of a breach of this warranty or in connection with the sale, maintenance, use, operation or repair of any Action Target Inc. product.

Before returning parts for evaluation and/or repair, contact Action Target Inc.'s technical support department for a return authorization (RA) number. Returned items covered by warranty are repaired or replaced and returned to you without charge. Returned items not covered under warranty are subject to repair or replacement charges. Shipping charges for warranty repair or replacement will be paid by Action Target Inc. Shipping charges for non-warranty repair or replacement will be paid by the customer.

For all warranty assistance or other technical support needs, please contact us at:

Action Target Technical Support 3411 S. Mountain Vista Parkway Provo, UT 84601 877-852-2418 technical-support@actiontarget.com

